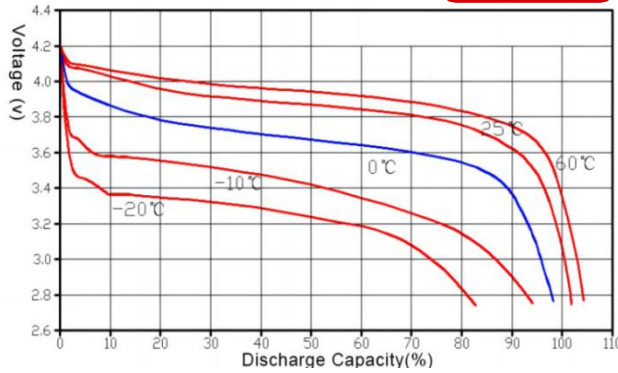
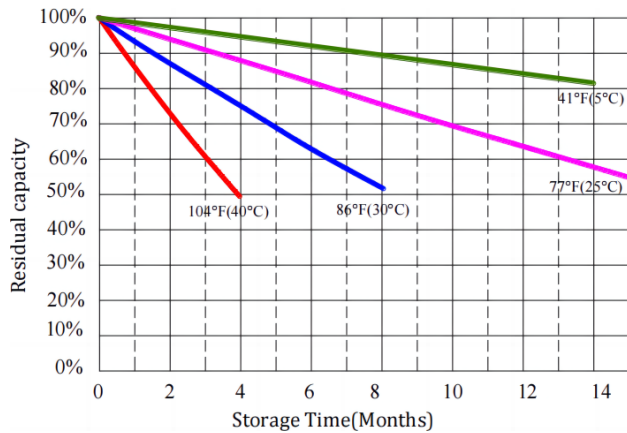


DNK

**1 YEAR
WARRANTY**



Different Temperature Discharge Curve



Different Rate Charge Curve

ANNOUNCEMENTS

- Do not allow reverse charging, the li-po battery should be accurately connected by polarity, can not be reversed.
- Do not allow short circuits, as this can cause permanent damage.
- The li-po battery can not be used under extreme conditions, such as: extreme temperature, deep cycle, extreme overcharge and over-discharge.
- Do not solder the li-po battery directly.

CONTACT INFO

Mail: sales@dnkpower.com

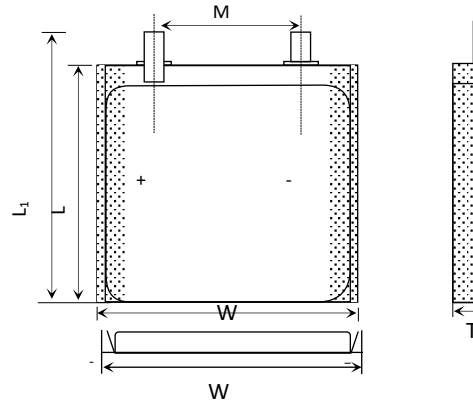
Tel:+86 755 36827358

Mob:+86 189 4877 2006

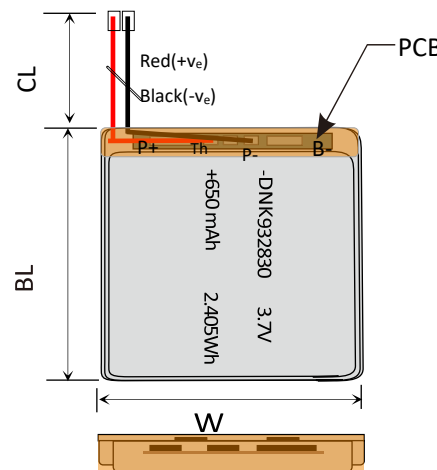
Hour of operation: 9:00am-6:00pm, Mon. to Fri.

Learn More on: <https://www.dnkpower.com/>

Battery Dimension Pictures



| Item | Parameter (mm) |
|----------------|----------------|
| T | 9.3 |
| W | 28 |
| M | 15 |
| L | 30 |
| L ₁ | 32 |
| BL | 32 ± 1 |
| CL | 100 |



Specifications are subject to change without notice.

3.7V DNK932830 650mAh LiPo Battery Pack with PCM. This datasheet describes the properties which is manufactured by DNK POWER Co. Ltd.- China

Electrical Data

| | |
|----------------------------------|-----------------|
| Part Number | DNK932830 |
| Nominal Voltage | 3.7V |
| Nominal Capacity | 650mAh |
| Internal Impedance | < 60mΩ |
| Charge Voltage | 4.2V |
| Recommended Charge Current | 0.2C |
| Allowed Max Charge Current | 0.5C |
| Output Voltage Range | 4.2 -2.5V |
| Recommend Discharge Current | 0.2C |
| Max Continuous Discharge Current | 1C |
| Pulse Discharge Current | 3C(10mS) |
| Discharge Cut-off Voltage | 2.5 ± 0.05V |
| Cycle Life to 80% Health | 500(0.2C, 25°C) |

Environmental Data

| | |
|-----------------------------|------------|
| Charging Temperature Range | 0 - 45°C |
| Discharge Temperature Range | -20 - 60°C |
| Storage Period 1 Week | -20 - 45°C |
| Storage Period 1 Month | -10 - 45°C |
| Storage Period 6 Months | 0 - 35°C |

Battery Protection

| | |
|----------------|--------------|
| Over Charge | 4.275 ± 50mV |
| Over Discharge | 2.5 ± 50mV |
| Over Current | 3A - 5A |
| Short Circuit | Yes |

Mechanical Data

| | |
|-------------------|--------------|
| Dimension | 32×28×9.3 mm |
| Weight | appr 10.9g |
| Battery Terminals | WC/FL* |

*WC=With Connector FL=Flying Leads