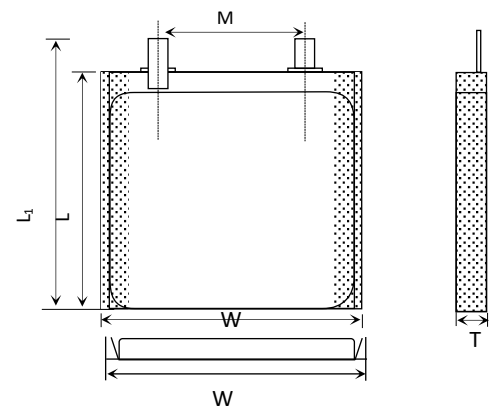


1 YEAR WARRANTY

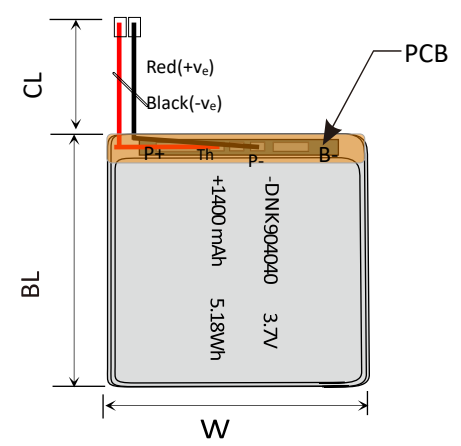
DNK

3.7V DNK904040 1400mAh LiPo Battery Pack with PCM. This datasheet describes the properties which is manufactured by DNK POWER Co. Ltd.- China.

Battery Dimension Pictures



| Item | Parameter (mm) |
|----------------|----------------|
| T | 9.0 |
| W | 40 |
| M | 20 |
| L | 40 |
| L ₁ | 42 |
| BL | 42 ± 1 |
| CL | 100 |



Electrical Data

| | |
|----------------------------------|-----------------|
| Part Number | LP 904040 |
| Nominal Voltage | 3.7V |
| Nominal Capacity | 1400 mAh |
| Internal Impedance | <60mΩ |
| Charge Voltage | 4.2V |
| Recommended Charge Current | 0.2C |
| Allowed Max Charge Current | 0.5C |
| Output Voltage Range | 4.2 - 2.5V |
| Recommend Discharge Current | 0.2C |
| Max Continuous Discharge Current | 1C |
| Pulse Discharge Current | 3C(10mS) |
| Discharge Cut-off Voltage | 2.5 ± 0.05V |
| Cycle Life to 80% Health | 500(0.2C, 25°C) |

Environmental Data

| | |
|-----------------------------|-------------|
| Charging Temperature Range | 0 - 45° C |
| Discharge Temperature Range | -20 - 60° C |
| Storage Period 1 Week | -20 - 45° C |
| Storage Period 1 Month | -10 - 45° C |
| Storage Period 6 Months | 0 - 35° C |

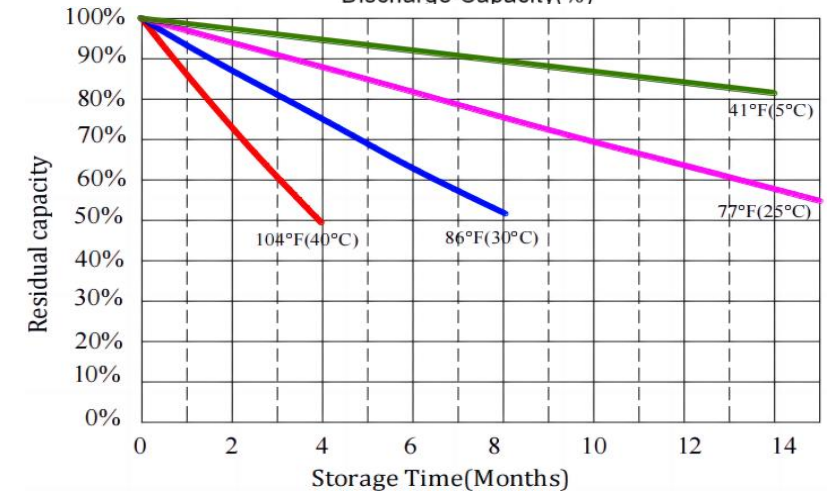
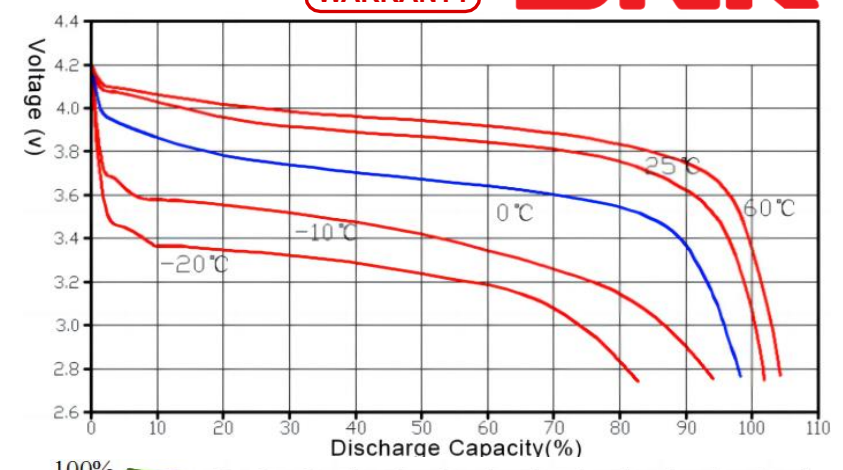
Battery Protection

| | |
|----------------|--------------|
| Over Charge | 4.275 ± 50mV |
| Over Discharge | 2.5V ± 50mV |
| Over Current | 3A to 5A |
| Short Circuit | Yes |

Mechanical Data

| | |
|--------------------------------|------------------|
| Dimension(L ₁ +W*T) | 42 x 40 x 9.0 mm |
| Weight | appr 23.4 g |
| Battery Terminals | WC/FL* |

*WC=With Connector FL=Flying Leads Specifications are subject to change without notice



ANNOUNCEMENTS

- Don't strike battery with any sharp edge parts;
- Trim your nail or wear glove before taking battery;
- Clean worktable to make sure no any sharp particle;
- Don't bend or fold sealing edge;
- Don't open or deform folding edge;
- Don't turn tab;
- Don't fall, hit, turn battery body;

CONTACT INFO

Mail: sales@dnkpower.com
 Tel:+86 755 36827358 Hour of operation: 9:00am-6:00pm, Mon. to Fri.
 Mob:+86 189 4877 2006 Learn More on: <https://www.dnkpower.com/>