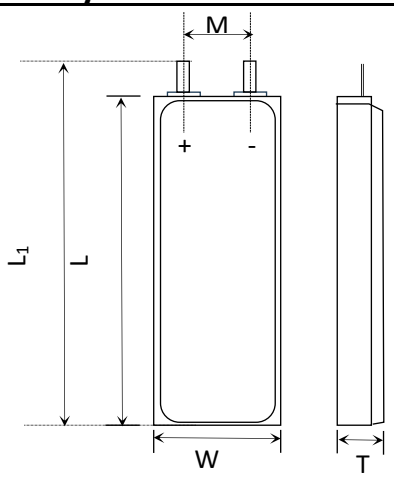


1 YEAR WARRANTY

DNK

3.7V DNK5560110 4400mAh LiPo Battery Pack with PCM.
 This datasheet describes the properties which is manufactured by DNK POWER Co. Ltd.- China.

Battery Dimension Pictures



| Item | Parameter (mm) |
|----------------|----------------|
| T | 5.5 |
| W | 60 |
| M | 20 |
| L | 110 |
| L ₁ | 112 |
| BL | 112 ± 1 |
| CL | 100 |

Electrical Data

| | |
|----------------------------------|-----------------|
| Part Number | LP 5560110 |
| Nominal Voltage | 3.7V |
| Nominal Capacity | 4400 mAh |
| Internal Impedance | <60mΩ |
| Charge Voltage | 4.2V |
| Recommended Charge Current | 0.2C |
| Allowed Max Charge Current | 0.5C |
| Output Voltage Range | 4.2 - 2.5V |
| Recommend Discharge Current | 0.2C |
| Max Continuous Discharge Current | 1C |
| Pulse Discharge Current | 3C(10mS) |
| Discharge Cut-off Voltage | 2.5 ± 0.05V |
| Cycle Life to 80% Health | 500(0.2C, 25°C) |

Environmental Data

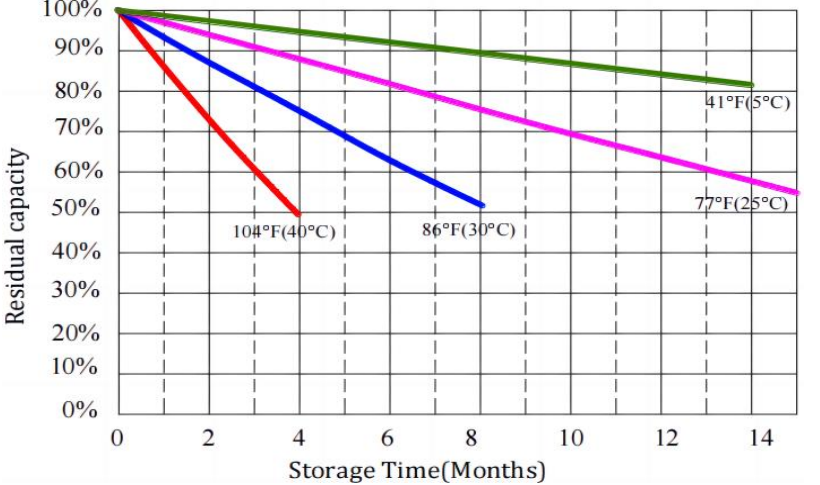
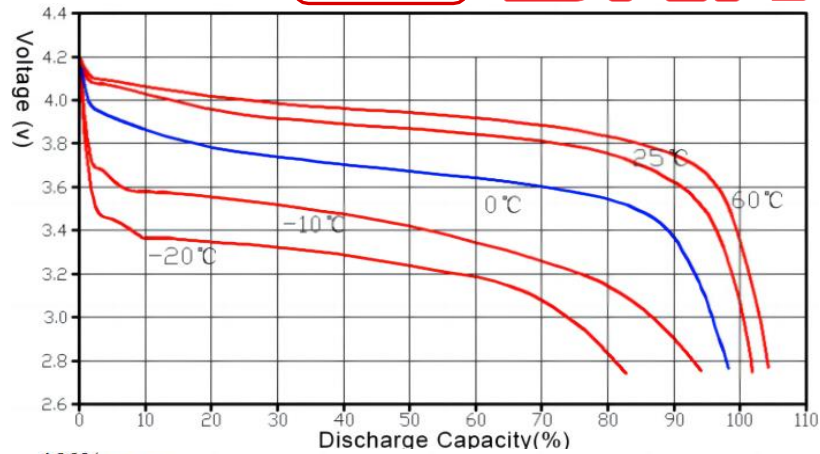
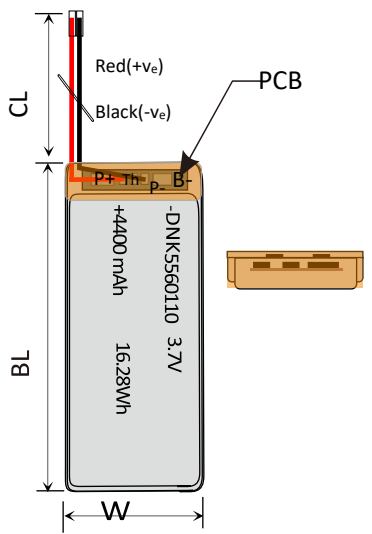
| | |
|-----------------------------|-------------|
| Charging Temperature Range | 0 - 45° C |
| Discharge Temperature Range | -20 - 60° C |
| Storage Period 1 Week | -20 - 45° C |
| Storage Period 1 Month | -10 - 45° C |
| Storage Period 6 Months | 0 - 35° C |

Battery Protection

| | |
|----------------|--------------|
| Over Charge | 4.275 ± 50mV |
| Over Discharge | 2.5V ± 50mV |
| Over Current | 3A to 5A |
| Short Circuit | Yes |

Mechanical Data

| | |
|--------------------------------|-------------------|
| Dimension(L ₁ +W*T) | 112 x 60 x 5.5 mm |
| Weight | appr 73.4 g |
| Battery Terminals | WC/FL* |



ANNOUNCEMENTS

- If you have dropped or damaged a LiPo battery in any way, do not attempt to charge it.
- Never charge a lithium polymer battery pack that has been punctured or damaged in a crash.
- Never charge a LiPo battery while it is inside your model or other electronic device.
- Never store batteries inside of an automobile.

CONTACT INFO

Mail: sales@dnkpower.com
 Tel:+86 755 36827358 Hour of operation: 9:00am-6:00pm, Mon. to Fri.
 Mob:+86 189 4877 2006 Learn More on: <https://www.dnkpower.com/>

*WC=With Connector FL=Flying Leads Specifications are subject to change without notice.