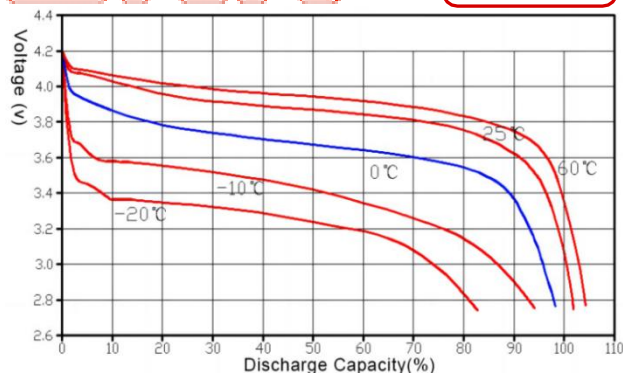
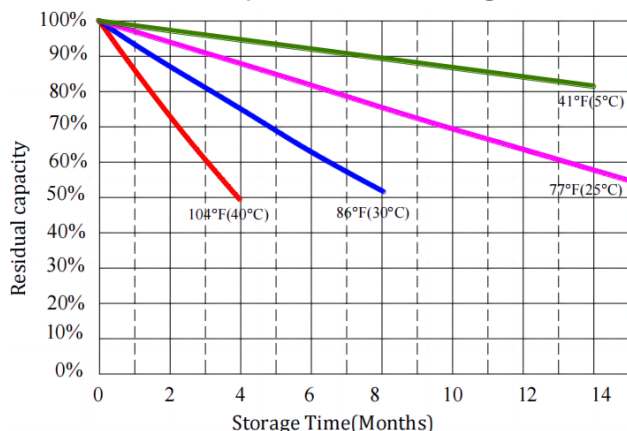


DNK

**1 YEAR
WARRANTY**



Different Temperature Discharge Curve



Different Rate Charge Curve

ANNOUNCEMENTS

- Do not put the battery under the high temperature places (like sunshine irradiation or car in the hot weather), or it will catch fire for the heat, reduce the performance and loss the life;
- To insure the safety, the battery should install the safety device, please not use when the static electricity is more than we need when produce, or the safety device will lose efficacy and lead the overheating, fracture, exploding and catching fire;

CONTACT INFO

Mail: sales@dnkpower.com

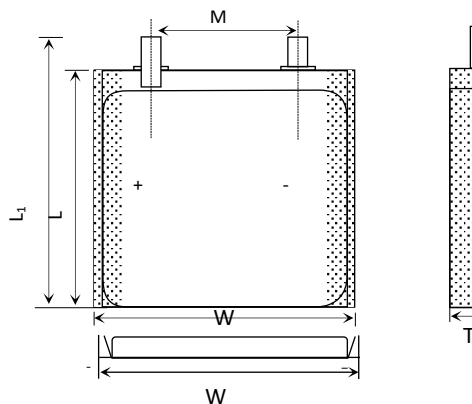
Tel: +86 755 36827358

Mob: +86 189 4877 2006

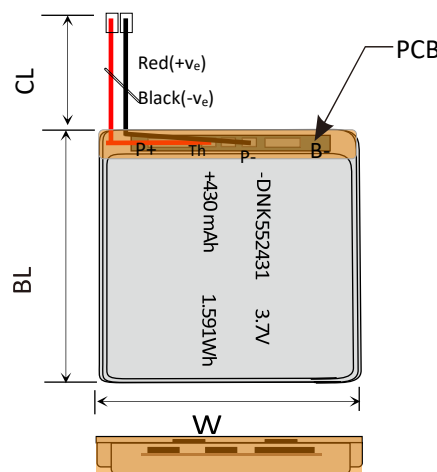
Hour of operation: 9:00am-6:00pm, Mon. to Fri.

Learn More on: <https://www.dnkpower.com/>

Battery Dimension Pictures



| Item | Parameter (mm) |
|----------------|----------------|
| T | 5.5 |
| W | 24 |
| M | 15 |
| L | 31 |
| L ₁ | 33 |
| BL | 33 ± 1 |
| CL | 100 |



Specifications are subject to change without notice.

3.7V DNK552431 430mAh LiPo Battery Pack with PCM. This datasheet describes the properties which is manufactured by DNK POWER Co. Ltd.- China

Electrical Data

| | |
|----------------------------------|-----------------|
| Part Number | DNK552431 |
| Nominal Voltage | 3.7V |
| Nominal Capacity | 430mAh |
| Internal Impedance | < 60mΩ |
| Charge Voltage | 4.2V |
| Recommended Charge Current | 0.2C |
| Allowed Max Charge Current | 0.5C |
| Output Voltage Range | 4.2 - 2.5V |
| Recommend Discharge Current | 0.2C |
| Max Continuous Discharge Current | 1C |
| Pulse Discharge Current | 3C(10mS) |
| Discharge Cut-off Voltage | 2.5 ± 0.05V |
| Cycle Life to 80% Health | 500(0.2C, 25°C) |

Environmental Data

| | |
|-----------------------------|------------|
| Charging Temperature Range | 0 - 45°C |
| Discharge Temperature Range | -20 - 60°C |
| Storage Period 1 Week | -20 - 45°C |
| Storage Period 1 Month | -10 - 45°C |
| Storage Period 6 Months | 0 - 35°C |

Battery Protection

| | |
|----------------|--------------|
| Over Charge | 4.275 ± 50mV |
| Over Discharge | 2.5 ± 50mV |
| Over Current | 3A - 5A |
| Short Circuit | Yes |

Mechanical Data

| | |
|-------------------|--------------|
| Dimension | 33×24×5.5 mm |
| Weight | ≤10g |
| Battery Terminals | WC/FL* |

*WC=With Connector FL=Flying Leads