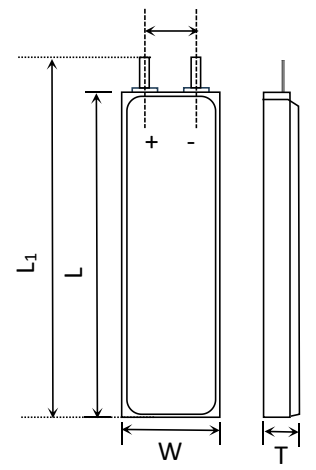


**1 YEAR WARRANTY**

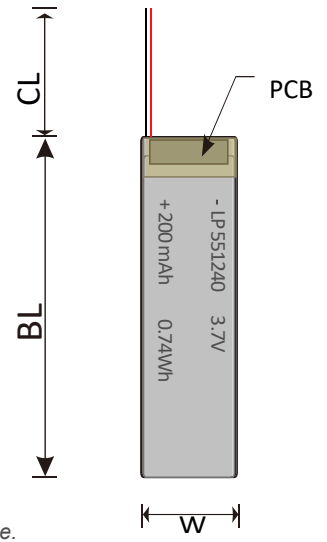
**DNK**

3.7V DNK551240 200mAh LiPo Battery Pack with PCM. This datasheet describes the properties which is manufactured by DNK POWER Co. Ltd.- China.

**Battery Dimension Pictures**



Item	Parameter (mm)
T	5.5
W	12
M	6
L	40
L <sub>1</sub>	42
BL	42 ± 1
CL	100



**Electrical Data**

Part Number	LP 551240
Nominal Voltage	3.7V
Nominal Capacity	200 mAh
Internal Impedance	< 60m Ω
Charge Voltage	4.2V
Recommended Charge Current	0.2C
Allowed Max Charge Current	0.5C
Output Voltage Range	4.2 - 2.5V
Recommend Discharge Current	0.2C
Max Continuous Discharge Current	1C
Pulse Discharge Current	3C(10mS)
Discharge Cut-off Voltage	2.5 ± 0.05V
Cycle Life to 80% Health	500(0.2C, 25°C)

**Environmental Data**

Charging Temperature Range	0 - 45° C
Discharge Temperature Range	-20 - 60° C
Storage Period 1 Week	-20 - 45° C
Storage Period 1 Month	-10 - 45° C
Storage Period 6 Months	0 - 35° C

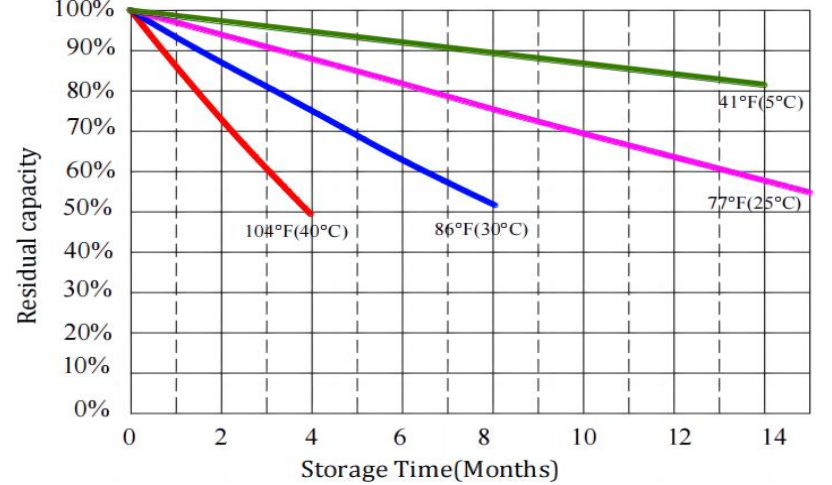
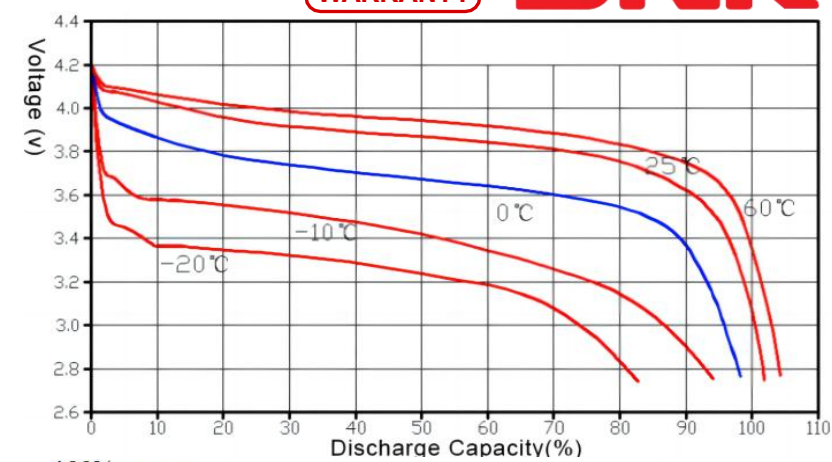
**Battery Protection**

Over Charge	4.275 ± 50mV
Over Discharge	2.5V ± 50mV
Over Current	3A to 5A
Short Circuit	Yes

**Mechanical Data**

Dimension(L <sub>1</sub> *W*T)	42 x 12 x 5.5 mm
Weight	≤10 g

Battery Terminals WC/FL\*  
 \*WC=With Connector FL=Flying Leads Specifications are subject to change without notice.



**ANNOUNCEMENTS**

- Ensure that charging leads are connected correctly. Reverse charging can lead to cell damage, fire or explosion.
- Never charge a LiPo pack that has ballooned or swelled due to over/under charging or from a crash.
- Never charge a lithium polymer battery pack that has been punctured or damaged in a crash.
- Do not cut the case and remove the shrink wrapped of li-po battery.

**CONTACT INFO**

Mail: sales@dnkpower.com  
 Tel: +86 755 36827358 Hour of operation: 9:00am-6:00pm, Mon. to Fri.  
 Mob: +86 189 4877 2006 Learn More on: <https://www.dnkpower.com/>