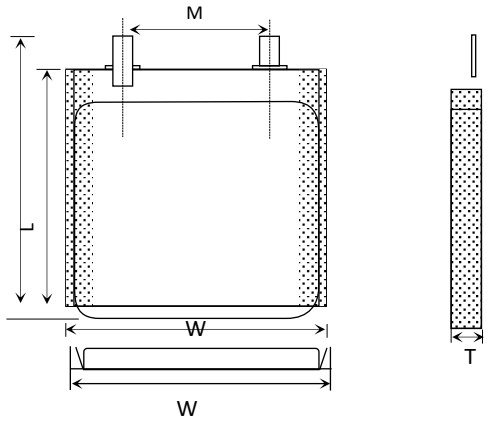


**1 YEAR WARRANTY**

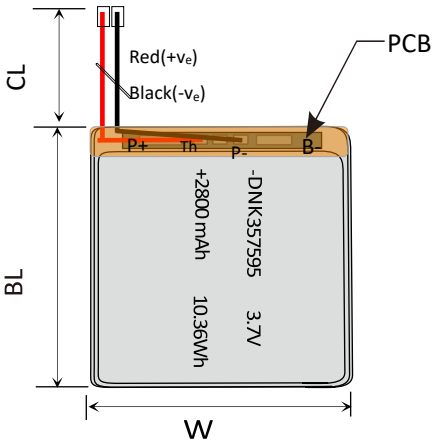
**DNK**

3.7V DNK357595 2800mAh LiPo Battery Pack with PCM. This datasheet describes the properties which is manufactured by DNK POWER Co. Ltd.- China.

### Battery Dimension Pictures



Item	Parameter (mm)
T	3.5
W	75
M	10
L	95
L <sub>1</sub>	97
BL	97 ± 1
CL	100



### Electrical Data

Part Number	LP 357595
Nominal Voltage	3.7V
Nominal Capacity	2800 mAh
Internal Impedance	<60m Ω
Charge Voltage	4.2V
Recommended Charge Current	0.2C
Allowed Max Charge Current	0.5C
Output Voltage Range	4.2 - 2.5V
Recommend Discharge Current	0.2C
Max Continuous Discharge Current	1C
Pulse Discharge Current	3C(10mS)
Discharge Cut-off Voltage	2.5 ± 0.05V
Cycle Life to 80% Health	500(0.2C, 25°C)

### Environmental Data

Charging Temperature Range	0 - 45° C
Discharge Temperature Range	-20 - 60° C
Storage Period 1 Week	-20 - 45° C
Storage Period 1 Month	-10 - 45° C
Storage Period 6 Months	0 - 35° C

### Battery Protection

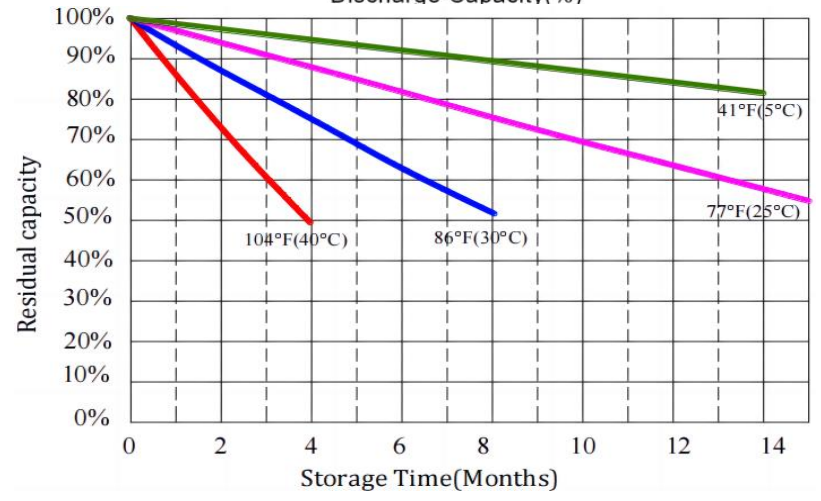
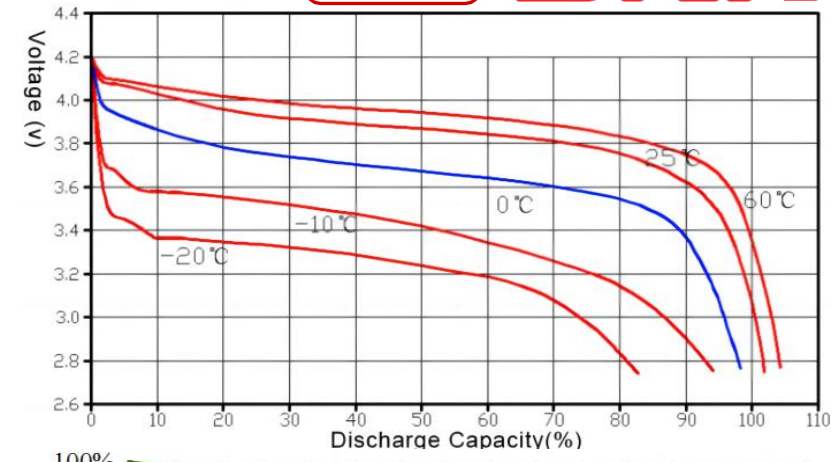
Over Charge	4.275 ± 50mV
Over Discharge	2.5V ± 50mV
Over Current	3A to 5A
Short Circuit	Yesv

### Mechanical Data

Dimension(L <sub>1</sub> +W*T)	97 x 75 x 3.5 mm
Weight	appr 46.7 g

Battery Terminals WC/FL\*  
\*WC=With Connector FL=Flying Leads

Specifications are subject to change without notice.



### ANNOUNCEMENTS

- Don't strike battery with any sharp edge parts;
- Trim your nail or wear glove before taking battery;
- Clean worktable to make sure no any sharp particle;
- Don't bend or fold sealing edge;
- Don't open or deform folding edge;
- Don't turn tab;
- Don't fall, hit, turn battery body;

### CONTACT INFO

Mail: sales@dnkpower.com  
 Tel:+86 755 36827358 Hour of operation: 9:00am-6:00pm, Mon. to Fri.  
 Mob:+86 189 4877 2006 Learn More on: <https://www.dnkpower.com/>