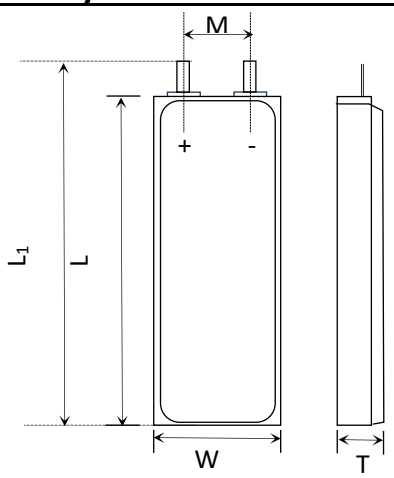


**1 YEAR WARRANTY**

**DNK**

3.7V DNK3076148 4800mAh LiPo Battery Pack with PCM.  
 This datasheet describes the properties which is manufactured by DNK POWER Co. Ltd.- China.

**Battery Dimension Pictures**



| Item           | Parameter (mm) |
|----------------|----------------|
| T              | 3.0            |
| W              | 76             |
| M              | 20             |
| L              | 148            |
| L <sub>1</sub> | 150            |
| BL             | 150 ± 1        |
| CL             | 100            |

**Electrical Data**

|                                  |                 |
|----------------------------------|-----------------|
| Part Number                      | LP 3076148      |
| Nominal Voltage                  | 3.7V            |
| Nominal Capacity                 | 4800 mAh        |
| Internal Impedance               | <60mΩ           |
| Charge Voltage                   | 4.2V            |
| Recommended Charge Current       | 0.2C            |
| Allowed Max Charge Current       | 0.5C            |
| Output Voltage Range             | 4.2 - 2.5V      |
| Recommend Discharge Current      | 0.2C            |
| Max Continuous Discharge Current | 1C              |
| Pulse Discharge Current          | 3C(10mS)        |
| Discharge Cut-off Voltage        | 2.5 ± 0.05V     |
| Cycle Life to 80% Health         | 500(0.2C, 25°C) |

**Environmental Data**

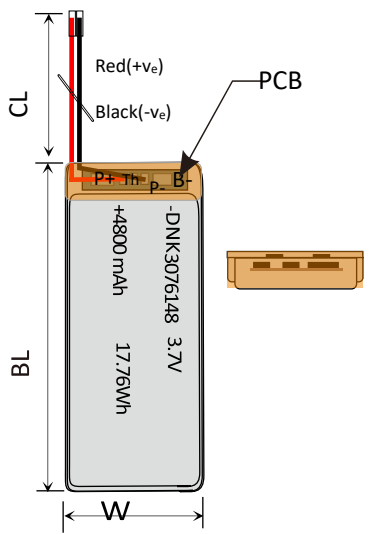
|                             |             |
|-----------------------------|-------------|
| Charging Temperature Range  | 0 - 45° C   |
| Discharge Temperature Range | -20 - 60° C |
| Storage Period 1 Week       | -20 - 45° C |
| Storage Period 1 Month      | -10 - 45° C |
| Storage Period 6 Months     | 0 - 35° C   |

**Battery Protection**

|                |              |
|----------------|--------------|
| Over Charge    | 4.275 ± 50mV |
| Over Discharge | 2.5V ± 50mV  |
| Over Current   | 3A to 5A     |
| Short Circuit  | Yes          |

**Mechanical Data**

|                                |                   |
|--------------------------------|-------------------|
| Dimension(L <sub>1</sub> +W*T) | 150 x 76 x 3.0 mm |
| Weight                         | appr 80 g         |
| Battery Terminals              | WC/FL*            |



**ANNOUNCEMENTS**

- If you have dropped or damaged a LiPo battery in any way, do not attempt to charge it.
- Never charge a lithium polymer battery pack that has been punctured or damaged in a crash.
- Never charge a LiPo battery while it is inside your model or other electronic device.
- Never store batteries inside of an automobile.

**CONTACT INFO**

Mail: sales@dnkpower.com  
 Tel:+86 755 36827358 Hour of operation: 9:00am-6:00pm, Mon. to Fri.  
 Mob:+86 189 4877 2006 Learn More on: <https://www.dnkpower.com/>

\*WC=With Connector FL=Flying Leads Specifications are subject to change without notice.