

**1 YEAR WARRANTY**

**DNK**

3.7V DNK10055125 10000mAh LiPo Battery Pack with PCM.  
 This datasheet describes the properties which is manufactured by DNK POWER Co. Ltd.- China.

**Electrical Data**

Part Number	LP 10055125
Nominal Voltage	3.7V
Nominal Capacity	10000 mAh
Internal Impedance	<60mΩ
Charge Voltage	4.2V
Recommended Charge Current	0.2C
Allowed Max Charge Current	0.5C
Output Voltage Range	4.2 - 2.5V
Recommend Discharge Current	0.2C
Max Continuous Discharge Current	1C
Pulse Discharge Current	3C(10mS)
Discharge Cut-off Voltage	2.5 ± 0.05V
Cycle Life to 80% Health	500(0.2C, 25°C)

**Environmental Data**

Charging Temperature Range	0 - 45° C
Discharge Temperature Range	-20 - 60° C
Storage Period 1 Week	-20 - 45° C
Storage Period 1 Month	-10 - 45° C
Storage Period 6 Months	0 - 35° C

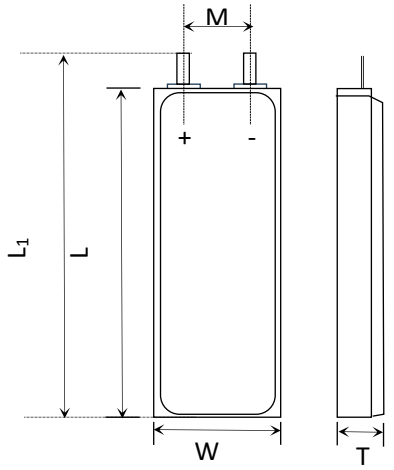
**Battery Protection**

Over Charge	4.275 ± 50mV
Over Discharge	2.5V ± 50mV
Over Current	3A to 5A
Short Circuit	Yes

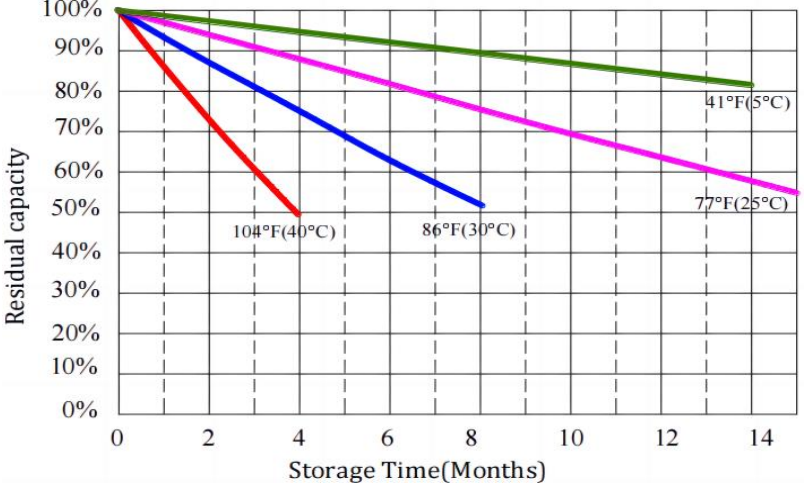
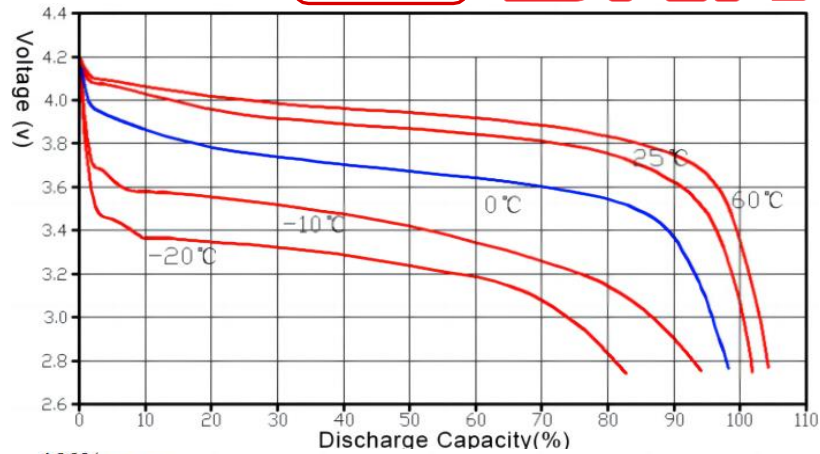
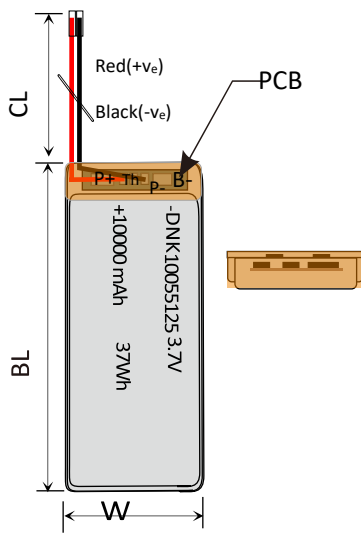
**Mechanical Data**

Dimension(L <sub>1</sub> +W*T)	127 x 55 x 10.0 mm
Weight	appr 166.7 g
Battery Terminals	WC/FL*

**Battery Dimension Pictures**



Item	Parameter (mm)
T	10.0
W	55
M	20
L	125
L <sub>1</sub>	127
BL	127 ± 1
CL	100



**ANNOUNCEMENTS**

- Never charge a LiPo battery on a wooden or other combustible (carpeted) surface.
- Always charge LiPo batteries on surfaces made of cement, steel, ceramic or stone.
- Never charge a LiPo battery near an exit. Keep exit egress clear in case of a fire or emergency.
- Never leave a charging LiPo battery pack unattended.

**CONTACT INFO**

Mail: sales@dnkpower.com  
 Tel:+86 755 36827358  
 Mob:+86 189 4877 2006  
 Hour of operation: 9:00am-6:00pm, Mon. to Fri.  
 Learn More on: <https://www.dnkpower.com/>

\*WC=With Connector FL=Flying Leads Specifications are subject to change without notice.